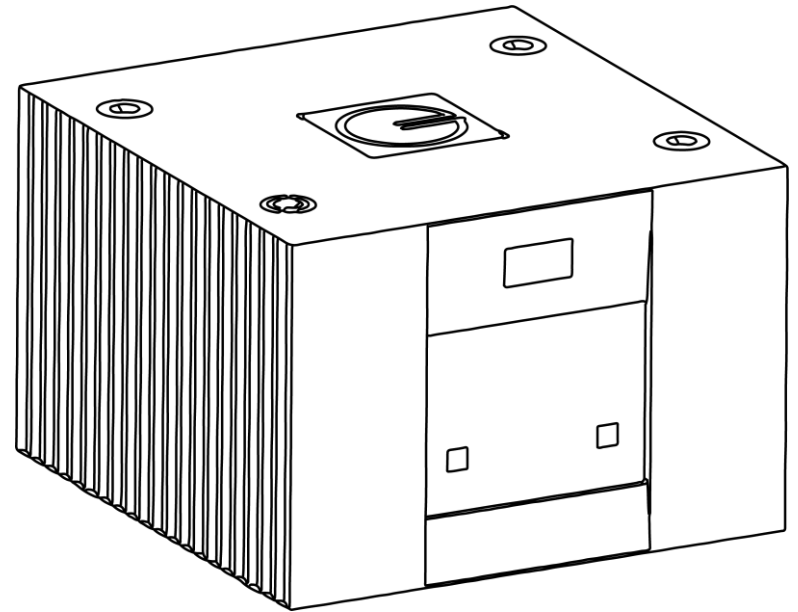


# USER MANUAL

---

TELOS 2800  
Mono Power Amplifier



Thank you for purchasing the Goldmund TELOS 2800.

You have acquired one of the finest Universal Power Amplifier ever crafted for professional and domestic use.

Please allocate some time to peruse this manual and you shall discover invaluable insights to elevate your auditory enjoyment of the TELOS 2800 to unprecedented heights.

## INTRODUCTION

---

### TELOS 2800 Mono Power Amplifier

Since 1978, Goldmund has been dedicated to developing audio equipment of the highest quality and accuracy to immerse you in the most realistic audio experience possible.

At Goldmund, we are committed to being at the forefront of the creation, development, and manufacture of the industry's most advanced technologies, including audio systems and music distribution.

Our aim is to provide the most accurate sound possible, with the least possible loss of quality during the various stages. With a team of rigorous engineers, Goldmund is constantly pushing back the boundaries of the exceptional to keep developing its own ever more innovative technology.

---

## ! W A R N I N G !

Absolutely no connections or manipulations should be attempted prior to thoroughly reviewing these instructions. Failure to adhere to the subsequent instructions may lead to damage to the amplifier.

These exceptionally high-quality amplifiers incorporate novel technical advancements that are imperative for achieving precise sound reproduction within top-tier audio systems.

**Only careful installation and use can provide the satisfaction you are expecting from this product.**

All handling must be performed according to the following instructions to avoid impairing the amplifier's performance.

### **IMPORTANT**

PLEASE DO NOT CONNECT ANY CABLES OR MOVE ANY PARTS BEFORE READING THE FOLLOWING INSTRUCTIONS

---

# TABLE OF CONTENTS

1	PRELIMINARIES	5
2	UNPACKING	5
3	CHOICE OF LOCATION & COOLING	6
4	LINE VOLTAGE ADJUSTMENTS	6
5	CONNECTIONS	7
6	CONTROLS & USE	9
7	SOUND QUALITY OPTIMIZATION	11
8	MAINTENANCE	12
9	TECHNICAL SPECIFICATIONS	13

# 1

## PRELIMINARIES

The connection between the analogue and digital sources, the acoustic processor, as well as between pre-amplifiers and power amplifiers, holds paramount importance. Ultra-low reflection interconnect cables are absolutely mandatory to retain the time integrity that the amplifier is designed to provide.

# 2

## UNPACKING

You will find the following items within the custom packaging:

- The amplifier
- The power cord
- This manual

Please unpack the components with care.

### CAUTION

Should you need to return the TELOS 2800 to the factory or your local representative for warranty repair, please be aware that it must be repacked using the original packaging.

This packaging has been designed to specifically safeguard your TELOS 2800 during transit. Utilizing alternative packaging is likely to result in damage and invalidate warranty coverage.

### 3

## CHOICE OF LOCATION & COOLING

The TELOS 2800 amplifier, as all high quality amplifiers, generates a substantial amount of heat when operating at high levels and necessitates adequate ventilation. It is imperative to ensure adequate cooling for the heat sinks. Please refrain from placing the amplifier in poorly ventilated areas and avoid placing temperature-sensitive equipment on top.

Given its weight and to maximize the impact of the integrated "Mechanical Grounding" structure, it is advisable to place the TELOS 2800 on the floor. Alternatively, robust supports with rigid floor transmission may be employed.

The TELOS 2800 is equipped with four adjustable conical feet, integral to the renowned Goldmund "Mechanical Grounding" principle. These feet play a pivotal role in ensuring effective vibration transmission to the amplifier's support structure, thereby facilitating the expulsion of detrimental vibrations within the unit. Depending on the levelness of the chosen installation surface, it may be necessary to adjust one or more of these feet to ensure complete contact points with the supporting surface and amplifier alignment.

### 4

## LINE VOLTAGE ADJUSTMENTS

TELOS 2800 amplifier is configured to function with the mains voltage specific to your geographical area. If any uncertainty arises, verify the power supply voltage switch located on the rear panel. Should you relocate subsequent to the amplifier's purchase to a region with a distinct AC mains voltage, please seek guidance from your local Goldmund dealer for expert support

## 4

## LINE VOLTAGE ADJUSTMENTS (Ctd.)

### ATTENTION

For the 230V model, the TELOS 2800 amplifier is designed to function optimally with a mains voltage of 230V  $\pm 15\%$ . In the case of the 115V model, it is imperative that the mains voltage be consistently maintained at 115V  $\pm 15\%$ . If your mains voltage falls outside these specified tolerance ranges, it is advisable to seek assistance from your authorized GOLDMUND dealer. Please ensure to check the value of the main line fuse, located on the amplifier's rear panel.

## 5

## CONNECTIONS

Connect the power cord to the rear of the amplifier and insert it into the nearest wall socket. For safety, use exclusively a 3-pin grounded plug. For optimal amplifier performance, refrain from using multiple plugs or extension leads.

If used with an analogue signal, connect the interconnect between the preamp and each power amp and set the TELOS 2800 in analogue mode. You may either use the RCA female socket or the XLR. The XLR socket, especially useful in professional installations, is wired as follows:

1. Grounding, Shielding
2. Hot
3. Cold

## 5

## CONNECTIONS (Ctd.)

When used with a digital input signal, connect the digital input cable to the digital input and switch the amplifier into the digital mode. Since a digital S/DPIF cable carries 2 channels, you may link the digital output to the next amplifier to transfer the S/PDIF input channel.

Connect the speaker cables to the Left & Right red and black binding post terminals at the rear of the amplifier, or to the Left & Right 4B type connectors using Goldmund high-definition speaker cables.

The 2 separate binding post 5-way output and Goldmund 4B type output connectors are connected internally in parallel. They are provided to facilitate the connection in bi-amping systems.

### IMPORTANT NOTE

- To avoid any significant damage the TELOS 2800 amplifier cannot be bridged.
- Although the amplifier is equipped with a short-circuit and overload protection circuit, any attempt to short-circuit or to connect one of the output terminals to ground may cause serious damage to the amplifier.
- Make sure the amplifier is turned off before connecting or disconnecting any cable.
- Do not disconnect the amplifiers power cord before the amplifier's power-down sequence is completed (see "Powering Off Process").



## 6

## CONTROLS &amp; USE

**Power On Process**

- Progressive charge of high power capacitors to limit peak current on AC line.
- Switch on high power supply on output stage.
- Wait stabilization of high power supply.

**Power Off Process**

- Push both buttons simultaneously in order to turn off the amplifier.
- As soon as the amplifier is in Standby mode, the yellow indicator will blink briefly every 3 seconds.

**6.1 Manual Operation**

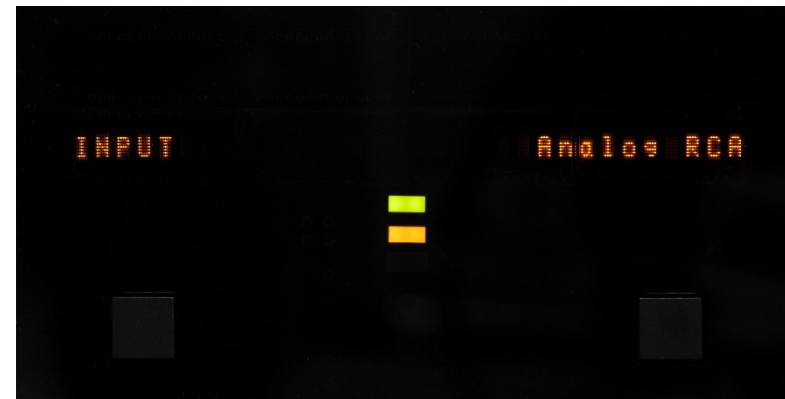
- On the front plate of the GOLDMUND TELOS 2800 amplifier you will find only two POWER keys.
- The two POWER keys have to be activated simultaneously to power the amplifier on. This security feature is provided to avoid accidental POWER ON or POWER OFF.
- As soon as the amplifier is connected to mains power, the orange indicator on the front panel will blink briefly every 3 seconds.
- Push both buttons of the front panel simultaneously in order to turn on the amplifier.
- As soon as the amplifier is fully powered the green indicator will light steadily and the menu will be displayed.
- If the digital input is not used, the orange LED is off, showing there is no lock and the amplifier remains muted until a lock is found. The LED will turn on as soon as the TELOS 2800 receives a digital input.
- In analogue mode (XLR & RCA) the orange LED is always on.
- By pressing the right key once, the amplifier is put in Operate mode UNMUTE, by pressing the right key once again, the amplifier returns to the menu MUTED state.
- The amp may be POWERED OFF by pressing the two POWER keys simultaneously at any time.

## 6

## CONTROLS &amp; USE (Ctd.)

**6.2 Input Selection**

- The menu is only available from the main screen when the amplifier is muted.
- Use the left button to enter the menu and cycle through the menu items (INPUT, GAIN and DISPLAY).
- Once the wanted menu item is shown on the screen, push the right button to cycle through the available settings of the given item.
- Once the wanted setting is chosen, push the left button to confirm your choice.
- Push the left button again to continue to the next menu item or get back to the main screen.
- Left button: to navigate into the menu to select the input, and screen brightness adjustment.
- Right button: to select the digital left/right input, the analogue input (RCA & XLR), adjust the gain for each input from -9dB to +9dB (in 3dB increments) and to mute/unmute the amplifier.

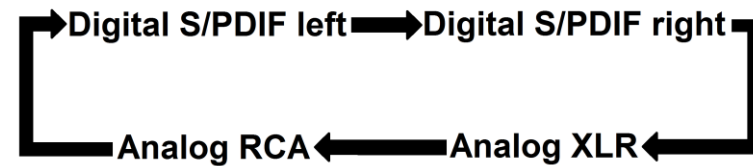


## 6

## CONTROLS & USE (Ctd.)

### 6.2 Input Selection (Ctd.)

In the input selection menu, pressing the right button once moves the input selection to the right as follows:



## 7

## SOUND QUALITY OPTIMIZATION

### WARM-UP SONIC EFFECT

When the amplifier has been powered off for an extended period, the optimal sound quality is attained gradually. It may require around 15 minutes for the amplifier to reach its optimal operating temperature, as the circuits need to warm up to approximately +55 degrees Celsius (equivalent to 131 degrees Fahrenheit).

## 8

## MAINTENANCE & CLEANING

The TELOS 2800 amplifier typically requires minimal maintenance. Should maintenance ever become necessary, please get in touch with your authorized Goldmund dealer.

Prior to cleaning your amplifier, always ensure that the power is switched OFF.

When cleaning the external metal surfaces of the amplifier, make use of a clean, soft, damp cloth. You can lightly moisten the cloth with water or a mild detergent solution. Refrain from using abrasive or harsh cleaning agents (such as products containing sodium carbonate).

The identification plate is coated with a precious metal. Simply clean it using a soft cloth, without the need for any chemical solutions.

### WARNING

Always turn the power off before cleaning your amplifier. There are no user serviceable parts inside the TELOS 2800. Unauthorized servicing or alteration invalidates the product's warranty.

## TECHNICAL SPECIFICATIONS

### POWER SUPPLY

- Nominal line voltage: 115 V or 230 V
- Input voltage range: +/- 15 %
- 3500 VA Toroidal Power Transformer
- Capacitor bank: 109'600  $\mu$ F

### RATED POWER CONSUMPTION

- IEC 60065, 1/8 Output Power at 8  $\Omega$ : 365 W

### REAR PANEL

- 1 x Power cord: universal socket 3 lugs
- 1 x Main fuse (5A slow-blow for 220 V) ; (10A slow-blow for 110 V)
- 1 x Green-yellow AC earth binding post (with bridge connection)
- 1 x Ground lift switch
- 2 x output binding posts (red & black)
- 1 x output Goldmund speaker 4B type connector
- 1 x Analogue RCA input (unbalanced connector)
- 1 x Analogue XLR input (balanced connector)
- 1 x Digital input and output RCA connectors
- 1 x RS232 command connector

### INPUT

- Max level before clipping, Analogue input: 1 Vrms
- Max level before clipping, Digital input: -6 dBFS

### OUTPUT

- Max level before clipping, 1 % THD, unloaded: 170 Vpp

## TECHNICAL SPECIFICATIONS (Ctd.)

### OUTPUT POWER

- Maximum power (IEC60065): 450 Wrms on 8  $\Omega$  / 1 % THD
- Maximum power (IEC60065): 590 Wrms on 4  $\Omega$  / 1 % THD

### DISTORTION

- IMD (SMPTE), unloaded: < 0.05 %
- THD+N, unloaded: < 0.05 % from 20 Hz to 20 kHz at 30 Vrms output

### OUTPUT NOISE FLOOR

- Analogue input terminated with RCA Shorting Caps, unloaded: < 3  $\mu$ V from 20 Hz to 20 kHz

### GAIN

- 35 dB

### DYNAMIC RANGE

- 22 kHz measurement bandwidth (flat), true RMS unloaded: 110 dB

### DAMPING FACTOR

- 600 at 1 kHz / 8  $\Omega$

### SIZE & WEIGHT

- 44 W x 32 H x 46 D (cm)
- 17.3 W x 12.6 H x 18.1 D (inch)
- 59 kg

Information and product specifications contained in this manual are subject to change without prior notice.

Visit our website at [www.goldmund.com](http://www.goldmund.com)