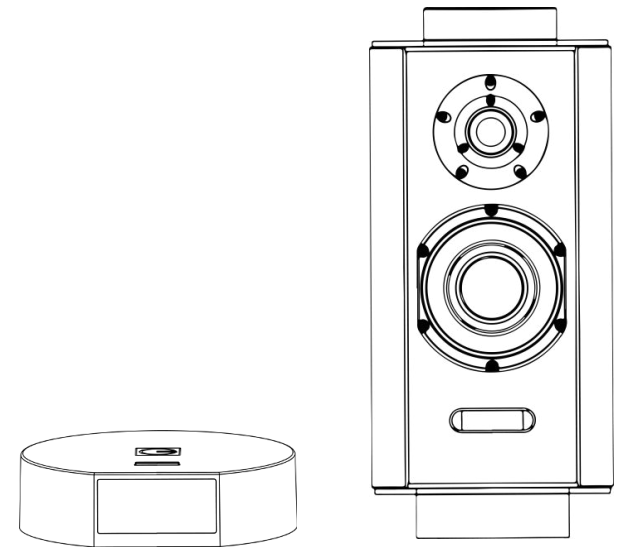


# USER MANUAL

---

PULP  
WiSA Speakers



Thank you for purchasing the Goldmund PULP.

Please take some time to read this manual. It provides you with useful information to make your pleasure of listening to the PULP even higher.

## INTRODUCTION

---

### PULP WiSA Speakers

Since 1978, Goldmund has been dedicated to developing audio equipment of the highest quality and accuracy to immerse you in the most realistic audio experience possible.

At Goldmund, we are committed to being at the forefront of the creation, development, and manufacture of the industry's most advanced technologies, including audio systems and music distribution.

Our aim is to provide the most accurate sound possible, with the least possible loss of quality during the various stages. With a team of rigorous engineers, Goldmund is constantly pushing back the boundaries of the exceptional to keep developing its own ever more innovative technology.

---

## W A R N I N G !

**Only careful use can provide the satisfaction you are expecting from this product.**

All handling must be performed according to the following instructions to avoid impairing the speaker's performance.

Nevertheless, if the instructions are carried out in full, you will notice that the use of the PULP is quite simple and convenient.

### **IMPORTANT**

PLEASE DO NOT CONNECT ANY CABLES OR MOVE ANY PARTS BEFORE READING THE FOLLOWING INSTRUCTIONS.

---

## TABLE OF CONTENTS

1	UNPACKING	5
2	FEATURES	6
3	USE	8
4	REMOTE CONTROL	12
4	APP	13
5	TECHNICAL SPECIFICATIONS	16

**1****PRELIMINARIES**

The PULP loudspeaker uses revolutionary technologies to achieve a level of definition and neutrality never reached before in a loudspeaker system.

For optimal use of your active speakers, please carefully read the following instructions. For professionals, musicians and all those who expect the very best in audio reproduction, we advocate the use of the highest quality components, especially in terms of electronics and cables.

**2****UNPACKING**

You will find the following components within the custom packaging:

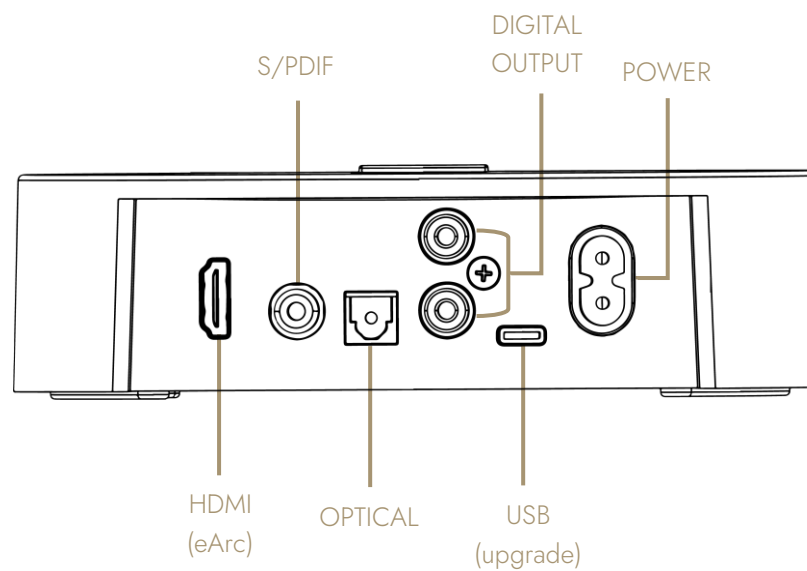
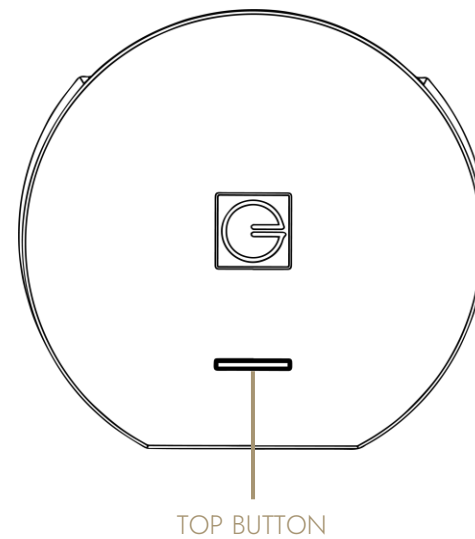
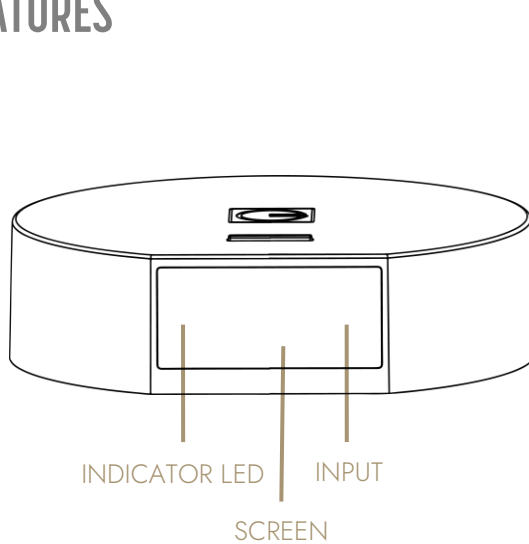
- The Pulp speaker pair
- The Hub
- The power cord
- The remote control
- This user manual

Please unpack the components with care.

3

# FEATURES

## Hub

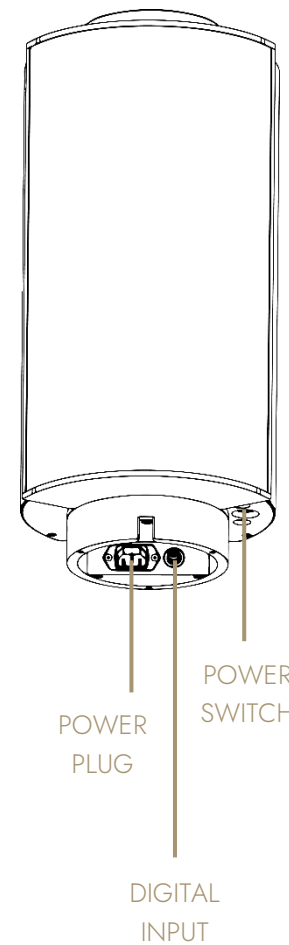
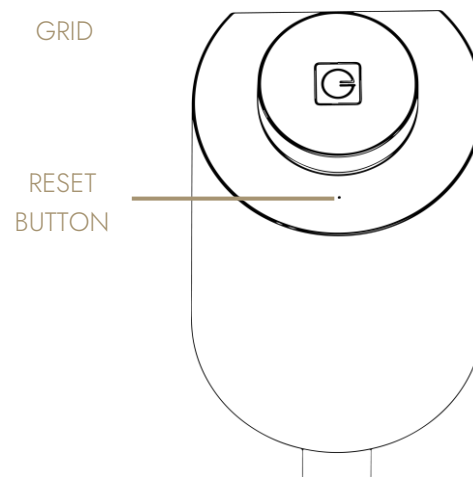
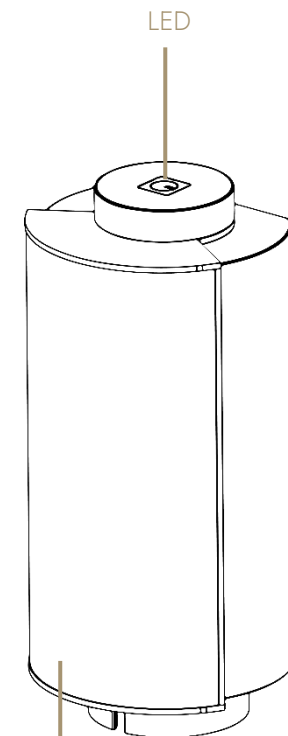
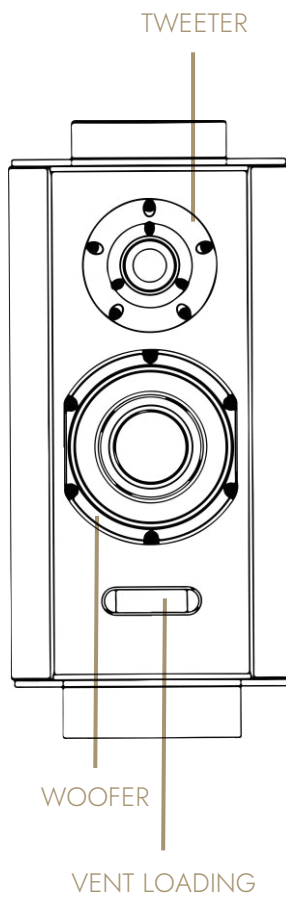


3

# FEATURES

Pulp

REV A



# 4

## HUB

### SWITCH ON

1. Connect the provided power cable to the Hub.
2. The Hub will automatically power on.
3. Connect the Pulp speakers to a power source.
4. Switch on the power for the Pulp speakers using the dedicated button.

Ensure that all input and output cables are connected before initiating the device's operation.

### STANDBY

There are two types of standby modes available on the Pulp Hub: NETWORK STANDBY and STANDBY. These modes differ in power management.

### NETWORK STANDBY

When the display shows "NETWORK STANDBY," it indicates that the Pulp Hub is in a low-power state where essential functions such as Bluetooth and HDMI remain active. The device can be awakened using the mobile app (coming soon) or TV controls.

The following conditions trigger the NETWORK STANDBY mode:

- The machine has no input signal within 20 minutes.
- HDMI source down TV terminal shutdown.

To exit NETWORK STANDBY mode, you can perform any of the following actions:

- Short press the button on the top of the Pulp Hub.
- Long press and hold the MUTE/STANDBY button on the remote control for 3 seconds.
- Wake up using the mobile app (coming soon).
- Turn on the TV terminal under the HDMI source.



## 4

**HUB (Ctd.)****STANDARD STANDBY**

In the standard STANDBY mode, the device is in a minimal power state, consuming less than 0.5W.

To enter STANDBY mode:

- Long press and hold the MUTE/STDBY button on the remote control for 3 seconds.

To exit STANDBY mode:


- Short press the button on the top of the Pulp Hub.
- Long press and hold the MUTE/STDBY button on the remote control for 3 seconds.

Note: In STANDBY mode, the power consumption is less than 0.5W, and in NETWORK STANDBY mode, it is less than 2W.

**BLUETOOTH PAIRING (INPUT)**

The Pulp Hub is equipped to receive audio files wirelessly via Bluetooth (aptX HD).

To establish a Bluetooth connection between the hub and your source (mobile device, computer, streamer other):

1. Select the Bluetooth input on the Pulp Hub using the remote control's "IN+/IN-" keys. The input name will display on the hub's screen.
2. On your source device, navigate to Bluetooth settings.
3. Locate and select the Pulp Hub, which will be identified by a name beginning with "PulpHub xxxx." ("xxxx" are the last four digits of the Bluetooth MAC address).
4. Once the connection is established, the Bluetooth LED  indicator will cease flashing and screen will display "Bluetooth connected"

**NOTE**

Press and hold the 'IN+' button on the remote control for more than 6 seconds to enter Bluetooth pairing mode. Activate this mode to connect a new audio source device to the Pulp Hub via Bluetooth.

## 4

## HUB (Ctd.)

**WARNING**

Operation of this equipment in a residential environment could cause radio interference.

**WARNING**

When you first pair the Hub with your sound source, pay attention to set a low volume to avoid damaging the external speakers.

**SPEAKERS PAIRING (OUTPUT)**

As a preamplifier, the Hub offers both wired digital and WiSA wireless output options for connecting to the Pulp speakers. Please note that only one output type can be used at a time. Select your preferred output mode in the Hub settings.

**ATTENTION**

Before proceeding, it is important to note that the Hub is configured in security mode by default, and changing the output mode is not possible without first disabling the protection function.

**Disable Protection:** simultaneously press and hold the "<" and ">" buttons on the remote for more than 5 seconds. The front display will indicate "Advanced Setting Activated or Disabled," at which point the mode change can be made.

**Enable Protection:** If you wish to revert to protection mode, press the "<" and ">" buttons again for 5 seconds; "Protection Mode" will be displayed, indicating that the device is in protection mode, and the output mode cannot be altered.

- **WiSA**

For connecting the Pulp Hub to the Pulp speakers:

1. Press and hold the top button for approximately 5 seconds to activate scan mode. The hub's screen will display "WiSA pairing," and the power LED will flash green.
2. The Pulp Hub will search for active speakers in its vicinity. When unpaired speakers are detected, automatic pairing will occur, and the screen will indicate "WiSA connected."

## 4

## HUB (Ctd.)

- **S/PDIF Cable**

Alternatively, you can establish a wired connection to your speakers by using the Pulp Hub's S/PDIF output connected to the speakers' S/PDIF input.

*NOTE: you can only use one mode at a time. To switch between WiSA and cable mode, ensure that the currently unused mode is disconnected.*

### INPUTS

The Hub can connect to a multitude of inputs as shown in the product rear feature.

### RESET CONNECTIONS

By default, the Pulp Hub comes paired with the Pulp Speakers from factory. To reset this connection, activate the advance mode, then long press 7 seconds the top button and the screen will display "Factory Reset". This resets all Wi-Fi speaker connection to the Hub and activates the S/PDIF output mode. To re-do the connection to the speakers, please refer to the WiSA - S/PDIF cable pairing sections above.

### TOP BUTTON

- Brief press to show the selected output mode (WiSA or S/PDIF)
- 5 second press to activate WiSA pairing mode
- 7 second press to reset all connections to factory default

*NOTE: the top button functions "WiSA pairing mode" and "Factory Reset" are deactivated by default. To activate or deactivate these top button functions, use the remote control by pressing simultaneously for 5 seconds the left "<" and right arrows ">". The Hub screen will display the message "Advanced setting activated/disabled".*

## 5

## REMOTE CONTROL

### MUTE/STDBY

To activate/deactivate MUTE mode, quick press this key. On active mode, "Mute" will display on screen and the red LED will flash.

To activate/deactivate STANDBY mode, long press this key. On active mode, "STANDBY" will display on screen and the red LED will be static.

### BAL

To activate the balance control, first, press the "BAL" key on the remote control. The key white LED will turn on. Then, adjust the balance using the "<" for left side or ">" for right side. You can adjust up to +/- 50dB.

To reset/center the balance, click on both left and right arrows "<" and ">" simultaneously when the Led on the "BAL" key is lit.

### IN+/IN-

These keys allow you to change input sources.

### VOL+/VOL-

You can control the sound volume using the remote control.

The Pulp Hub features a **Volume Memory function** that allows you to conveniently store and retrieve the current audio volume level. To memorize the volume, simultaneously press both VOL+/VOL- keys on the Pulp Hub's remote control for a duration of 3 seconds. Once the current volume level is successfully stored, the hub's screen will flash the volume displayed, confirming that the volume has been memorized.

To recall the saved volume level at any time, quick press both designated keys on the remote control simultaneously. This action will promptly restore the previously memorized volume level.

## 5

**REMOTE CONTROL (Ctd.)**

**GRID** : This function operates with external speakers by moving the speakers' grills.



: This function operates with external speakers by regulating the speakers' LED intensity.

NOTE: these functions are activate only in WiSA output mode.

## 6

**APP (coming soon)**

The Pulp App allows for intuitive management of left and right speaker settings, reset the Pulp speakers, adjustment of the logo LED light intensity, and manipulation of the speaker grid.

NOTE: Most app functions are active only when in WiSA output mode. If WiSA mode is turned off, you can still use the app to pair your Pulp speakers in WiSA and to check your device's version.

**INSTALL GOLDMUND APP**

- Goldmund App will be soon available on Android and Apple App stores.

**CONNECTING APP TO SPEAKERS**

- Once installed, the App will instantly detect the hub and display any compatible powered on speakers In the "Products" section.
- Ensure that Bluetooth Is enabled on your mobile device or computer.
- Click the desired stereo speakers listed In the App to establish a connection. The speakers and the App are now connected.

**FEATURES**

**Move Grid:** This function moves the speakers' grills.

**Light Control:** This function regulates the speakers' LED intensity.

## 6

**APP (Ctd.)** (coming soon)**SPEAKER SETTINGS****Left/Right Speaker Identification**

To identify which of the Pulp speaker units is set to receive left or right signals, long press the speaker icon and the corresponding speaker will emit a chime noise.

**WiSA pairing**

Pulp stereo speakers are WiSA configured from factory as indicated in each speaker.

To switch the left and right signals, use the "Signal Switch" button.

Should you need to replace your hub or the Pulp speakers, re-establish WiSA pairing by clicking on "Scan for speakers".

The App automatically pairs with detected speakers (alternatively, this can be performed directly on the hub).

**Disconnecting Hub & Speakers**

To disconnect the speakers from the Hub, click on the cross icon below each speaker. Alternatively, you can perform this action directly on the speaker by using its Reset button. This button is located on the top of the product, and can be accessed using a paperclip through the hole on the upper flange of the Pulp speaker. Press and hold the button until you hear an audio signal, indicating that the speaker has been reset.

**ADVANCED SETTINGS****Virtual Dolby Atmos**

Activate this mode to decode Dolby ATMOS (Dolby True HD) and enhance the audio signal, creating an immersive virtual surround sound effect. For content that is only in stereo, consider disabling this function as it may add unwanted effects to the audio signal. Note that Virtual Dolby Atmos is activated by default.

**WARNING**

Ensure that all audio inputs are disconnected from the Pulp Hub before attempting to reset the Pulp speakers. The presence of audio content during the reset process could interfere with the functionality of the reset.

## 6

**APP (Ctd.)** (coming soon)**Device Version**

Stay informed about your hub's software version for troubleshooting and updates. This section displays as well the Pulp Hub Bluetooth MAC address.

**Audio Format**

This section is crucial for maintenance purposes. It displays the current audio format decoded by the Hub. All audio formats received by the Hub are converted to stereo format for compatibility with the Pulp stereo speakers.

*HUB***INPUTS**

- Bluetooth (aptX HD)
- HDMI (eARC)
- RCA S/PDIF
- Toslink optical

**OUTPUTS**

- 2 parallel Digital RCA S/PDIF 2-channel outputs  
Up to 32 channels of wireless audio, WiSA Certified

**WIRELESS AUDIO QUALITY**

- Uncompressed 24-bit 96 kHz  
Signal latency: 2.6 milliseconds

**DECODING**

- PCM 2-channel
- PCM Multi-channel
- Dolby Digital, Dolby Digital+,
- Dolby TrueHD, Dolby Atmos
- DTS, DTS-ES, DTS-HD,
- DTS-Express, DTS :X

**POWER SUPPLY**

- Nominal line voltage: 100-240 V, 50/60Hz (auto-switchable)
- Max power consumption: 10W (Erp < 0.5W)



## 7

**TECHNICAL SPECIFICATIONS****TOTAL SIZE & WEIGHT PER UNIT**

- 14.3 W x 4.5 H x 15.2 D (cm)
- 0.3 kg

*PULP***DRIVERS**

- 5" woofer
- Soft dome tweeter
- Vent loading

**FREQUENCY RESPONSE**

- 43Hz (-6dB) > 25kHz

**AMPLIFIER**

- 2 x 175W Telos amplifier per unit

**INPUTS**

- Digital input
- Wireless audio stream (WiSA)

**VOLTAGE**

- Nominal range: 115 V or 230 V (+/-15%)

**SIZE & WEIGHT**

- 23W x 48H x 23D (cm)
- 14kg

Information and product specifications contained in this manual are subject to change without prior notice.



For DTS patents, see <http://patents.dts.com>. Manufactured under license from DTS, Inc. or DTS Licensing Limited. DTS, DTS:X, and the DTS:X logo are registered trademarks or trademarks of DTS, Inc. in the United States and other countries. © 2021 DTS, Inc. ALL RIGHTS RESERVED.



Dolby, Dolby Atmos, and the double-D symbol are registered trademarks of Dolby Laboratories Licensing Corporation. Manufactured under license from Dolby Laboratories. Confidential unpublished works. Copyright © 2012-2021 Dolby Laboratories. All rights reserved.



**GOLDMUND**  
SWISS MADE

[www.goldmund.com](http://www.goldmund.com)