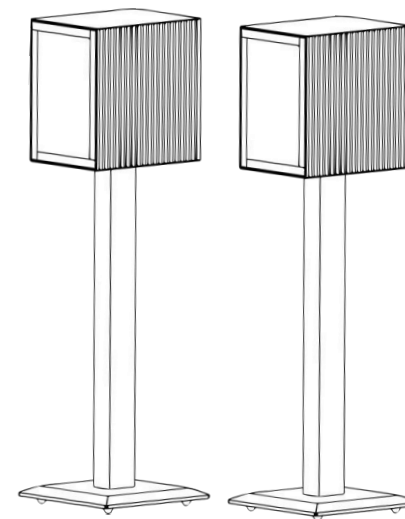


USER MANUAL

MELOS STAND
Accessories



Thank you for purchasing the Goldmund MELOS STANDS.

INTRODUCTION

MELOS STAND Accessories

Since 1978, Goldmund has been dedicated to developing audio equipment of the highest quality and accuracy to immerse you in the most realistic audio experience possible.

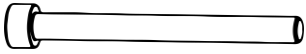
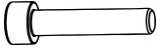
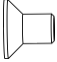

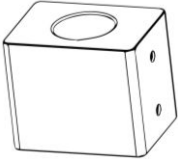
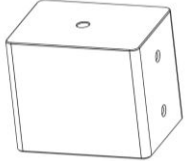
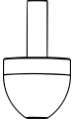
At Goldmund, we are committed to being at the forefront of the creation, development, and manufacture of the industry's most advanced technologies, including audio systems and music distribution.

Our aim is to provide the most accurate sound possible, with the least possible loss of quality during the various stages. With a team of rigorous engineers, Goldmund is constantly pushing back the boundaries of the exceptional to keep developing its own ever more innovative technology.

TABLE OF CONTENTS


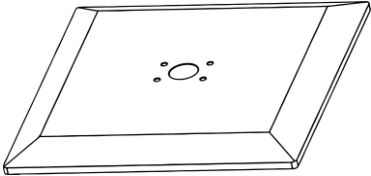
1	GLOSSARY	4
2	UNPACKING	6
2	ASSEMBLY	6
3	TECHNICAL SPECIFICATIONS	11

1 GLOSSARY

	<p>M6x65 hex socket screw (top nesting cube for speaker fixation)</p>
	<p>M6x30 hex socket screws (stand base screws)</p>
	<p>M6x10 countersunk head screws (central speaker bottom screw)</p>
	<p>M5x10 pan head screw (top nesting cube and stand tube fixations)</p>
	<p>Top Nesting Cube</p>
	<p>Bottom Nesting Cube</p>
	<p>Stand Adjustable Feet</p>

1

GLOSSARY

 A perspective drawing of a long, thin, rectangular tube. It has a small rectangular slot on the left side and two small circular holes on the right side.	Central Stand Tube
 A perspective drawing of a square-shaped base with a raised rim. In the center of the flat top surface, there is a circular hole surrounded by four smaller circular holes, one at each corner.	Bottom Stand Base

2 UNPACKING

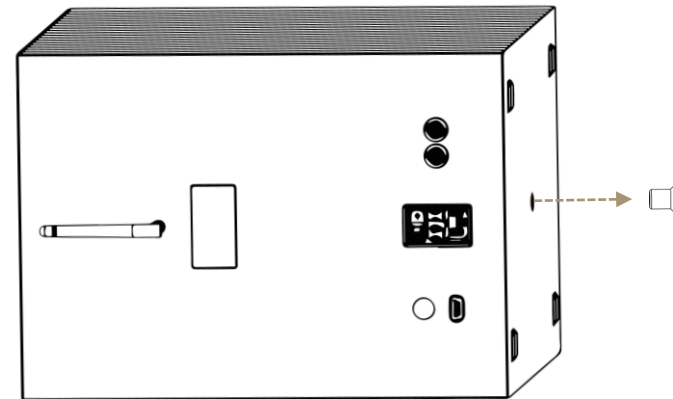
The Melos stands require special attention during unpacking, we recommend at least 2 people for unpacking and installation of this unit with care.

If you need to return the stands to the factory or to your local representative for a warranty repair, please note that it must be repacked in the original packaging. This packaging has been designed especially to protect the stand in transit. Use of alternative packaging will almost inevitably result in damage, which cannot be covered by the warranty.

2 ASSEMBLY

Preparing the Melos Speaker

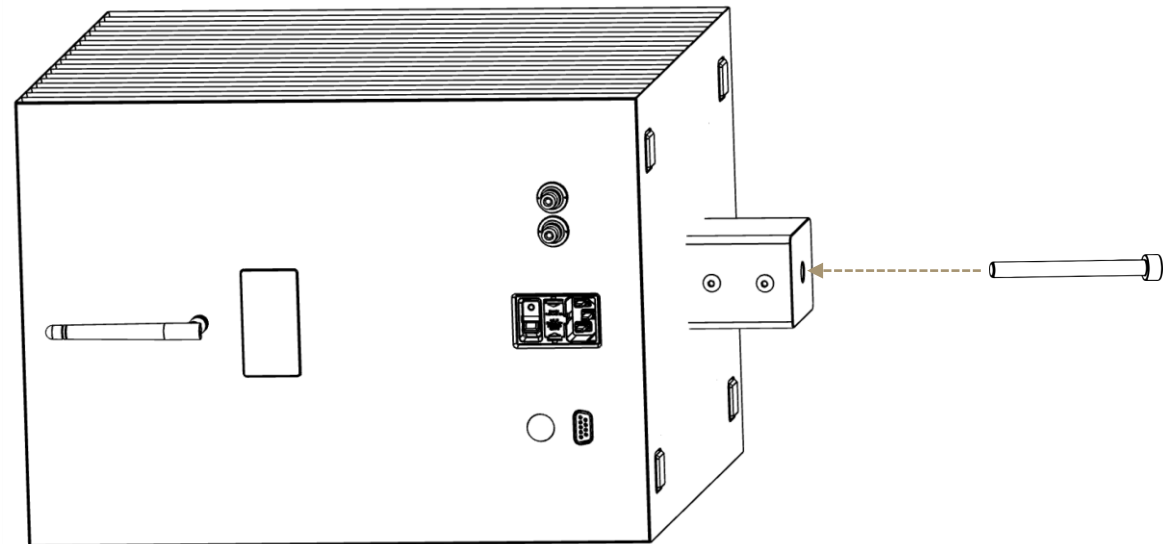
- Lay your Melos speaker on its side on a table or another stable surface. Use a soft fabric or another protective material underneath to prevent any scratches or damage to the speaker's enclosure. This precautionary step ensures the preservation of the speaker's aesthetic and structural integrity during the assembly process.
- Identify the bottom panel of the speaker, which has an M6x65 screw. Remove the M6x65 screw.



2

ASSEMBLY (Ctd.)**Attaching the Top Nesting Cube**

- Position the top nesting cube parallel to the speaker, ensuring the silicon joint is in contact with the speaker's bottom.
- Align the edges of the nesting cube with the corresponding edges of the speaker (long edge to long edge, short edge to short edge). The screw holes on the nesting cube should face the rear of the speaker.
- Secure the nest to the speaker's base panel using the provided M6x65 screws.

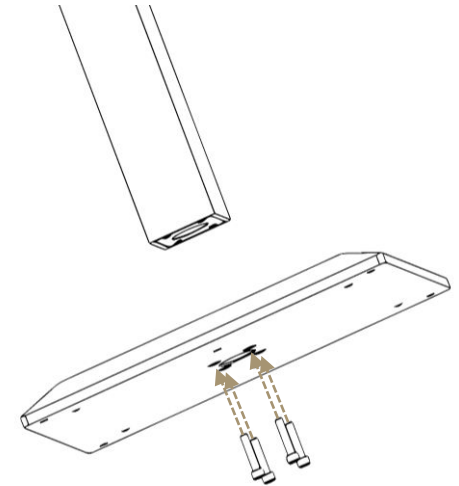


2

ASSEMBLY (Ctd.)

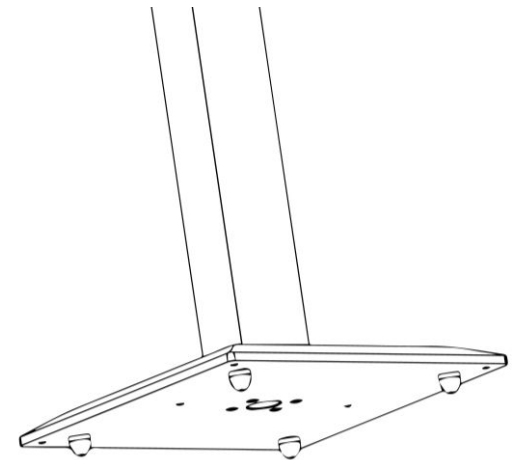
Assembling the Stand Base

- Align the longer side of the stand base with the shorter side of the Melos speaker.
- Secure the base to the tube stand by inserting four M6x30 screws through the base into the aligned holes on the tube stand.



Adjusting the Feet

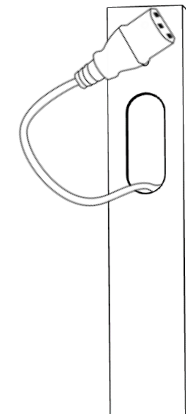
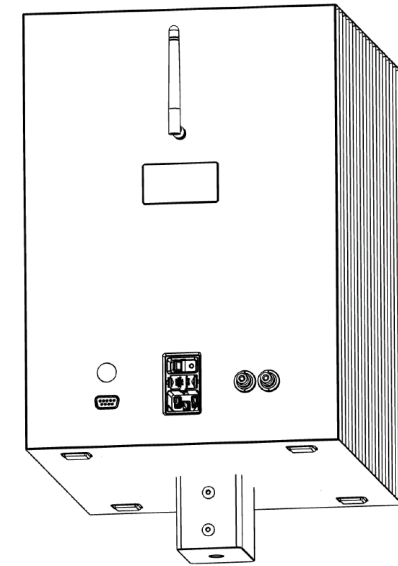
- The stand has four adjustable feet, with two position options: narrower and wider.
- Choose the desired feet position and secure the feet to the base.



2

ASSEMBLY (Ctd.)**Securing the Speaker to the Tube**

- Locate the top rear of the stand tube, identifiable by two screw holes and a larger hole for cables.
- Thread the power cord and audio cable (if the system is configured in wired input mode) through the tube before connecting it to the Melos speaker. Insert the power cord from the base of the tube. The cable will be connected to the speaker at the end of the stand installation.
- Place the stand
- Insert the top nesting cube into the top of the stand tube.
- Orient this end of the tube towards the rear of the Melos speaker.
- Fix the speaker to the tube by screwing two M5x10 screws into the holes in the nesting cube.

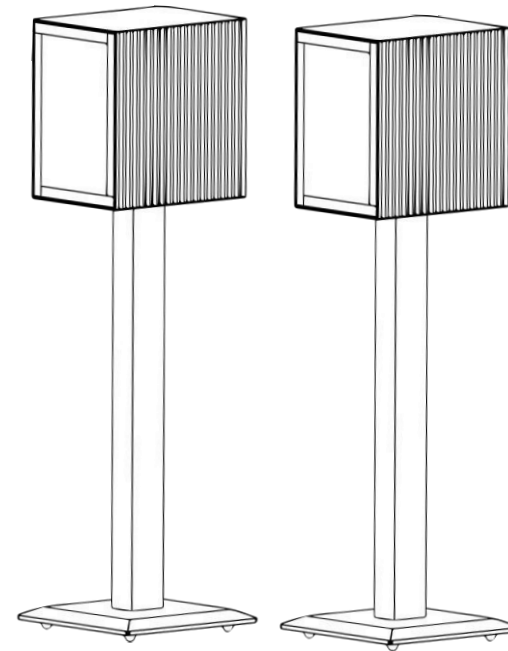


2

ASSEMBLY (Ctd.)

Positioning the Speakers

- Your Melos speakers are now ready for floor-standing placement. Refer to the Melos Owner's Manual for optimal stereo positioning recommendations.



Transporting the Assembled Unit

- Carefully hold both the Melos speaker and the stand during transportation.
- For easier movement, you may rotate the unit on the ground.
- You can now adjust the feet in order to level the speaker if needed.

3 TECHNICAL SPECIFICATIONS

SIZE (per unit, without speaker)

- 35 W x 110 H x 35 D (cm)
- 13.8 W x 43.3 H x 13.8 D (inch)

SIZE (per unit, with speaker)

- 35 W x 145 H x 35 D (cm)
- 13.8 W x 57.1 H x 13.8 D (inch)

WEIGHT (per unit, without speaker)

- 9.5 kg

WEIGHT (per unit, with speaker)

- 33.5 kg